

[Click to go to the page](#)



S-Series Bag Filter

The S-Series (1,500-5,000 CFM)

Suitable for collection of many different types of dust including wood, paper and plastic.



Applications:

High Speed Routing • Sawing • Cutting • Single 'Cell' Manufacturing • After-Filters

Features

- *Three or single phase*
- *Easy installation*
- *Small footprint*
- *Multiple U.S. assembly points*
- *Quiet operation*
- *Bag material collection (barrel or bin option)*
- *Patented SuperBags (99.9% efficiency)*
- *Multiple waste collection options*

Before



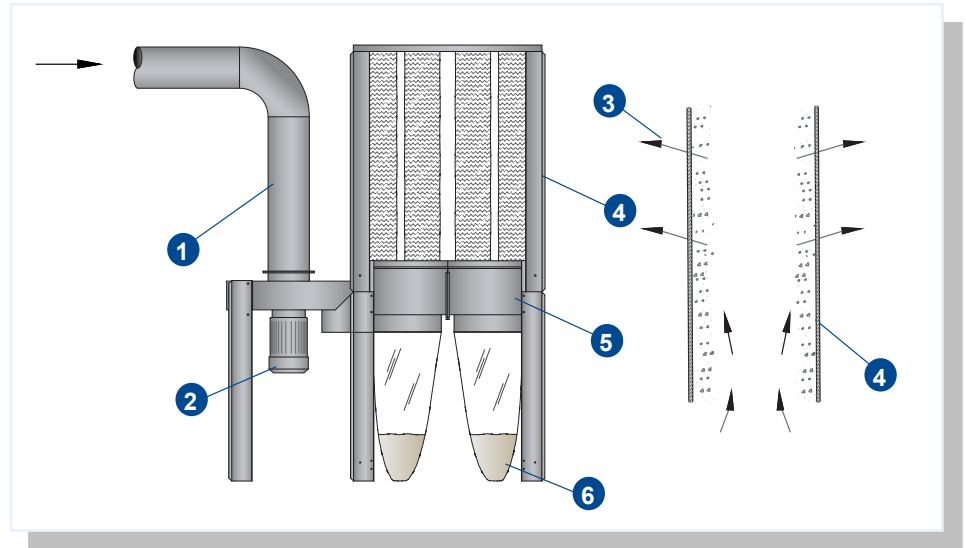
After



How it Works

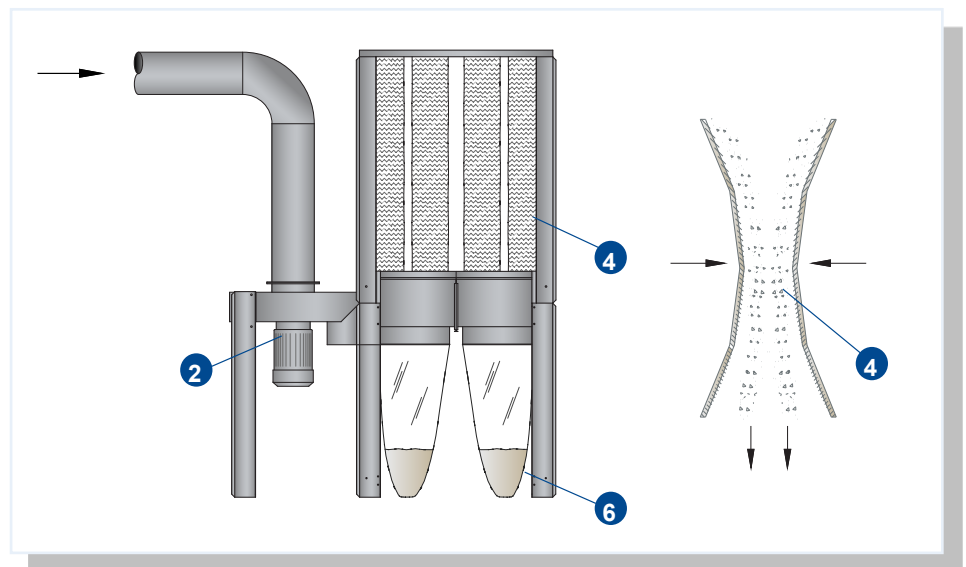
...during normal operation

1. During normal operation, the dust laden air from the plant travels down the supply duct **1**
2. The dirty air then enters the COMBIFAB **2** material handling fan
3. The dust then enters the hopper section **5** of the filter
4. As air slows down within the hopper, the heavier dust particles fall down into the inside of the collection bags **6**
5. The remaining dust then travels up into the inside of the filter bags **4**
6. The air, which originated from the plant, is now clean and passes through the filter bag into the surrounding atmosphere **3**

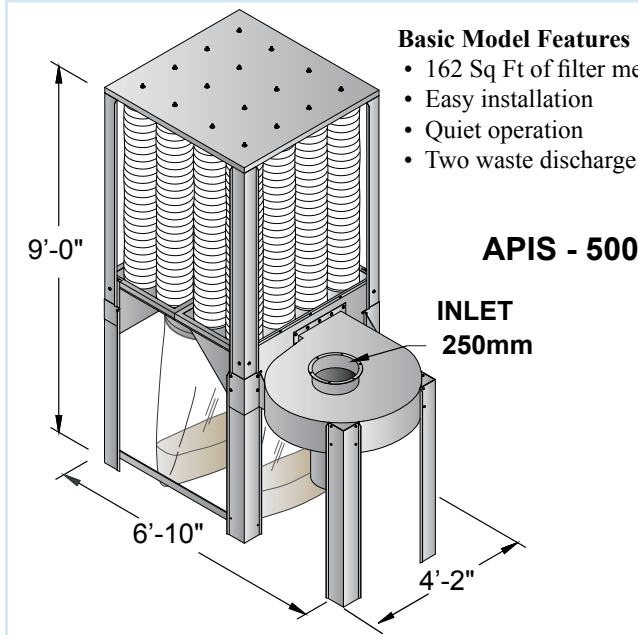


...while cleaning

1. The S Series may only clean "off-line", when the COMBIFAB fan **2** has stopped rotating
2. The S Series is cleaned by applying physical force to the outside of the filter bag **4** which, in effect, shakes them
3. The dust cake, which hangs on the inside of the filter bag, falls into the hopper section and then into the collection bags below **6**



Unit Specifications

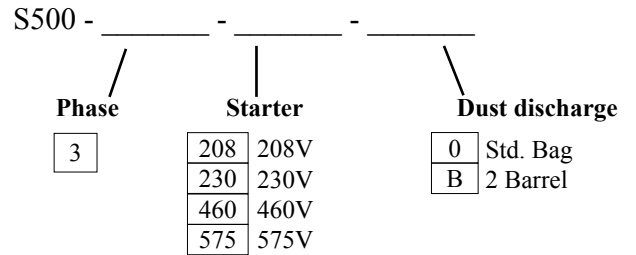
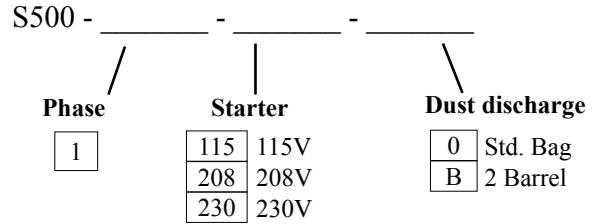


- Basic Model Features**
- 162 Sq Ft of filter media
 - Easy installation
 - Quiet operation
 - Two waste discharge points

- Basic Model Features**
- Qty (1) 5 HP, 1750 RPM, TEFC motor
 - Qty (16) Beane material filter bags
 - Qty (2) plastic waste collection bag
 - Qty (2) clamps for easy removal of waste bags

APIS - 500

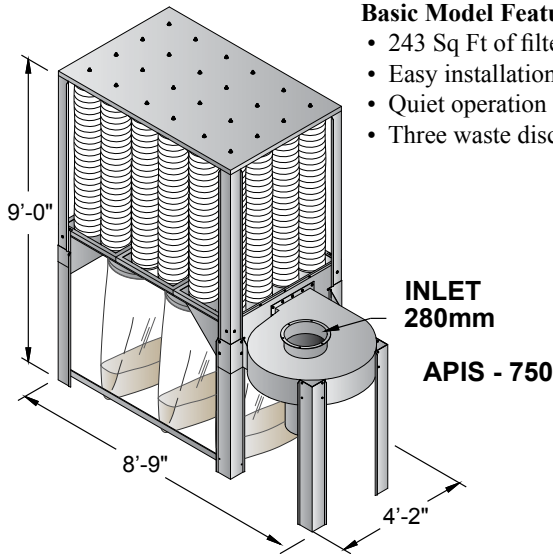
Model Number Selection:



CFM RANGE

8.0" Wg	7.5" Wg	5.0" Wg
1500 CFM	2000 CFM	3000 CFM

Shipping Weight: 675lbs.

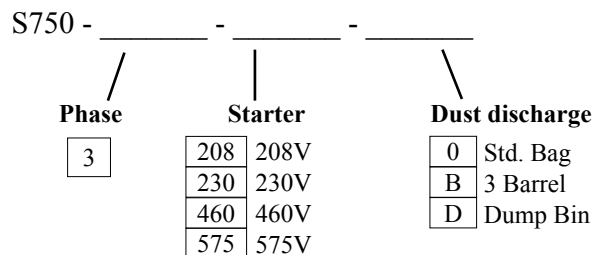
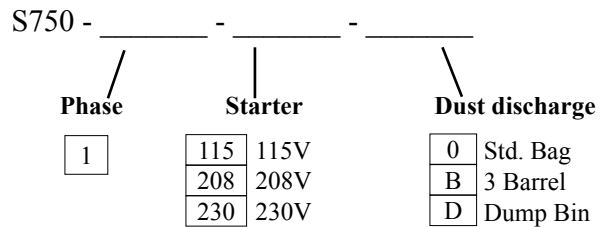


- Basic Model Features**
- 243 Sq Ft of filter media
 - Easy installation
 - Quiet operation
 - Three waste discharge points

- Basic Model Features**
- Qty (1) 7.5 HP, 1750 RPM, TEFC motor
 - Qty (24) Beane material filter bags
 - Qty (3) plastic waste collection bag
 - Qty (3) clamps for easy removal of waste bags

APIS - 750

Model Number Selection:

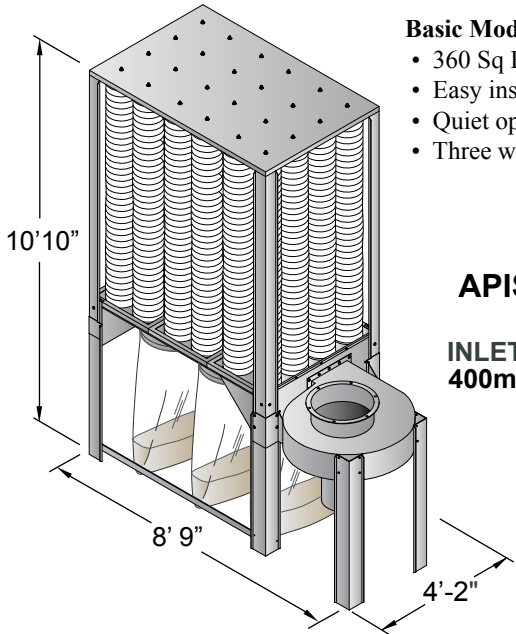


CFM RANGE

10.0" Wg	8.0" Wg	6.0" Wg
2500 CFM	3500 CFM	4500 CFM

Shipping Weight: 900lbs.

Unit Specifications



Basic Model Features

- 360 Sq Ft of filter media
- Easy installation
- Quiet operation
- Three waste discharge points

Basic Model Features

- Qty (1) 10 HP, 1750 RPM, TEFC motor
- Qty (24) Beane material filter bags
- Qty (3) plastic waste collection bag
- Qty (3) clamps for easy removal of waste bags

APIS - 1000

INLET 400mm

Model Number Selection:

S1000 - _____ - _____ - _____

Phase:

3

Starter:

208	208V
230	230V
460	460V
575	575V

Dust discharge:

0	Std. Bag
B	3 Barrel
D	Dump Bin

CFM RANGE

8.0" Wg	7.0" Wg
4000 CFM	5000 CFM

Shipping Weight: 950lbs.

Waste Disposal Options



Bags (Standard)



Barrels (Optional)



Dump Bin (Optional)

EASY AS 1-2-3

Collector up and running in less than 1 hour

1



2



3



The Superbag

The Superbag



A filter is only as good as the filter bags it uses. This is the component that provides the filtering while allowing clean air to pass through with the least possible resistance. Therefore, the lowest possible consumption of energy is realized, even after several thousand hours of operation. patented filter bag, is fitted as the standard in all S-Series bag filters.

Efficiency and low energy consumption

Superbag is a polyester filter bag. A patented weaving technique in tubular format give the filter bag a surface which can cope with varying dust loads and with virtually any type of dust. Better filtering efficiency is achieved with this unique filter media which provides low pressure drop, and low energy consumption.

Strength and durability

The special shape of the superbag helps to ensure that the high efficiency and effectiveness of our APIS-Series filter system is maintained even after long periods of operation. The durability is the result of the patented construction, strong polyester fiber and seamless body. These features also help make cleaning of the filter bag very easy.

Antistatic

Superbag's interwoven carbon fiber wire provides higher anti-static properties than traditional filter bags, both on the surface and inside. This reduces the risk of fire and explosion as fine particles are removed.

Take advantage of the benefits of Quick-Fit clamp-together ducting

- *An easy and fast way to install the duct*
- *Laser welded, leak-free seams*
- *Easy to clean out, easy to reuse*
- *Adaptable to your existing ductwork*

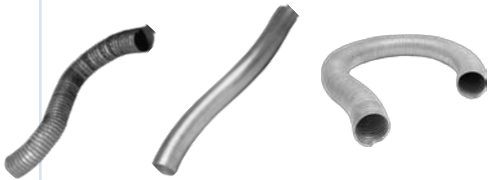
Below is a sampling of some of the Quick-Fit parts available:

Pipe and Clamp:



- Quick-Fit pipe: Laser welded pipe with rolled ends. Comes in 5' sections.
 Adjustable Nipple: For lengths less than 5'. The adjustable nipple slides over regular Quick-Fit pipe and telescopes to the length you need.
 Clamp: The most important part of a clamp-together duct system.

Hoses:



- Flex Rubber Hose: Extremely flexible rubber hose with steel coil
 Rigid Flex Steel Hose: Flexible rigid steel hose for higher temperatures or abrasive material
 Ultra Flex Steel Hose: Ultra flexible steel hose for higher temperatures or abrasive material

Branches:



Branches include; Branch, Y-Branch, Double Branch, & T-Branch. They can be delivered either with 30° angles (standard) or with 45° angles (optional). Quick-Fit rolled ends are standard but flanged and raw ends are optional.

Adapters:



Adapters include; Machine Adapters, Flanged Adapters, Hose Adapters, & Bell Mouth Adapters. Quick-Fit rolled ends are standard but flanged and raw ends are optional.

Dump Bin for the S-Series

Dimensions:

- Overall 33.0" wide x 70.5" long x 36.5" high
- Inside 29.0" wide x 66.5" long x 27.5" high

Weight:

500 lbs

Volume:

230 gallon
[70% increased capacity over a (3) barrel outlet]
barrels are 45 gallon each



Bringing superior conditions to the workplace and the environment

For more than 30 years Air Purifiers Inc. has developed, manufactured and marketed products and system solutions to reduce the strain on the environment and improve working conditions in numerous industries.

Our products and systems have been ground-breaking in industries such as Machining, Metal Fabrication, Automotive, Composite Manufacturing, Food, Paper, Chemical, Pharmaceutical and many others.



Air Purifiers Inc.
1 Pine St
Rockaway, NJ 07866
800-219-8772

REGISTERED
ISO
9001:2008
14001:2004

API
AirPurifiers Inc.
www.airpurifiersinc.com